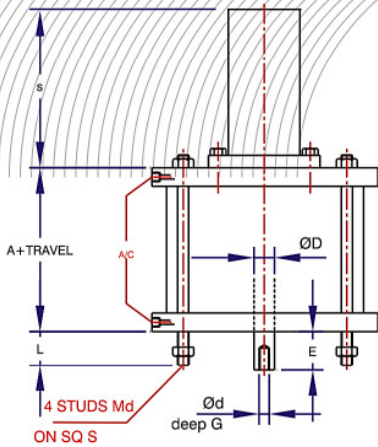


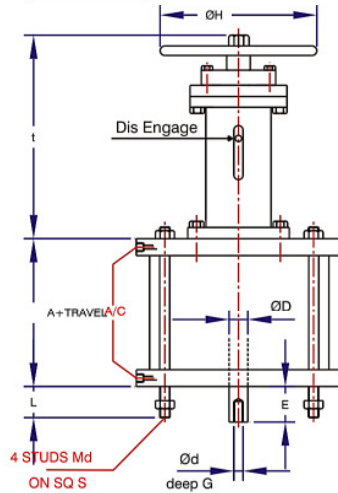
SERIES : SB/ST/SH

SINGLE ACTING AIR CYLINDER

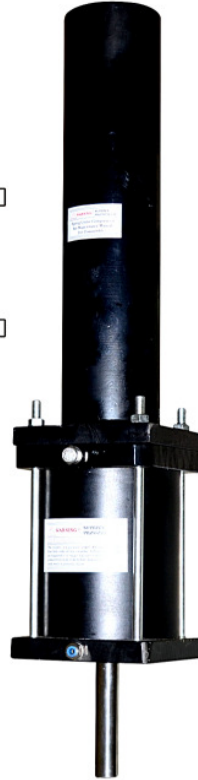
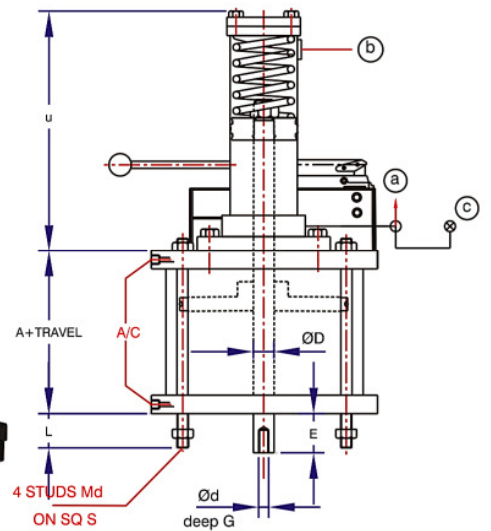
BASIC STANDARD SERIES : SB



WITH SCREW TYPE MANUAL OVERRIDE SERIES : ST



WITH HYDRAULIC MANUAL OVERRIDE SERIES : SH



- a. 3 WAY L PORT BALL VALVE DIVERSION WITH BREATHER PLUG
 - b. BREATHER PLUG
 - c. HAND PUMP
- For details of hand pump refer Series WH
Other dimension refer Series WC
NOTE: Drawing shown in valve open position.

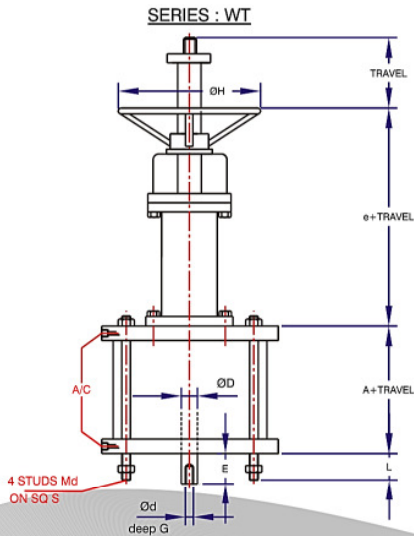
DIMENSIONAL DATA

CYLINDER MODEL	Cylinder Size	Stroke	S+A	L	Sq. F	Ød	ØD
SB 03	75	30	242	14	114	7/16" - 20 UNF LHT	18
SB 05	125	50	312	19	140	7/16" - 20 UNF LHT	18
SB 06	150	60	363	22	165	7/16" - 20 UNF LHT	30
SB 08	200	95	568	22	216	7/16" - 20 UNF LHT	30
SB 10	250	115	504	40	270	3/4" - 16 UNF LHT	45
SB 12	300	145	600	75	324	3/4" - 16 UNF LHT	45
SB 14	350	170	673	50	375	1" - 14 UNF LHT	45

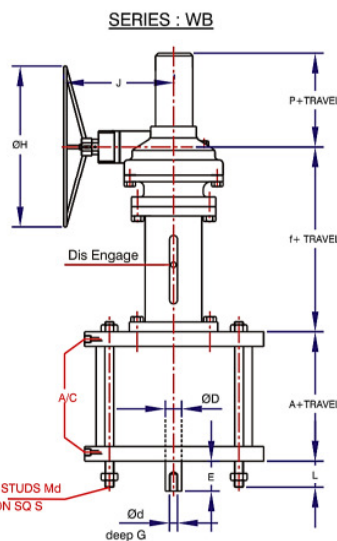
DOUBLE ACTING AIR CYLINDER WITH MANUAL OVERRIDE

SERIES : WT/WB

SCREW TYPE MANUAL OVERRIDE



WITH BEVEL TYPE MANUAL OVERRIDE



- NOTE :**
1. Other drive sizes are available on request.
 2. Air connection NPT sizes available on request.
 3. For other dimensions and rod end details refer Catalogue Series WC
 4. Other Materials not mentioned above are available on Request.
 5. All dimensions are in mm.



SUPRIYA PROTOTECH
Range of Valves and Accessories

